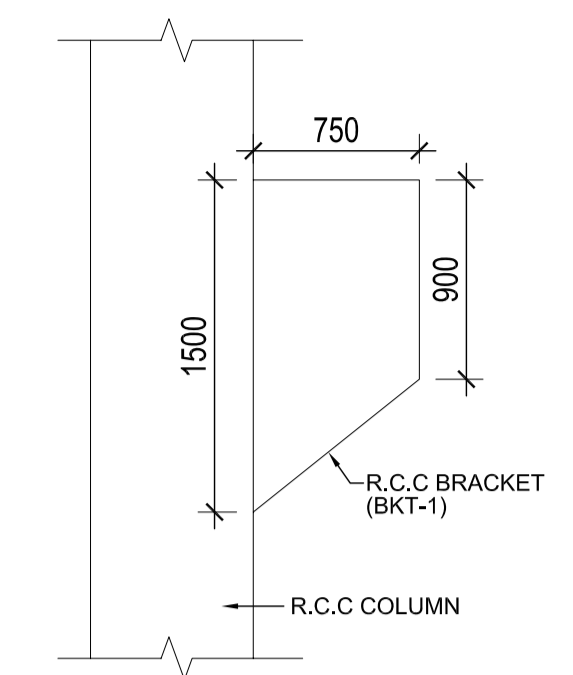
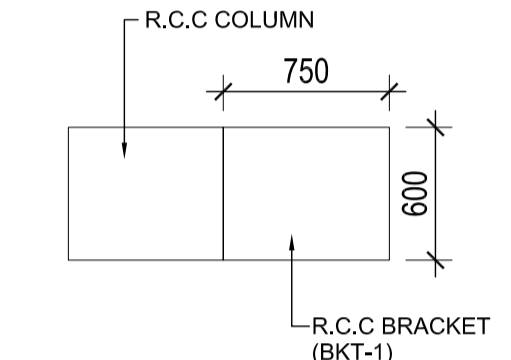


MEZZANINE FRAMING PLAN

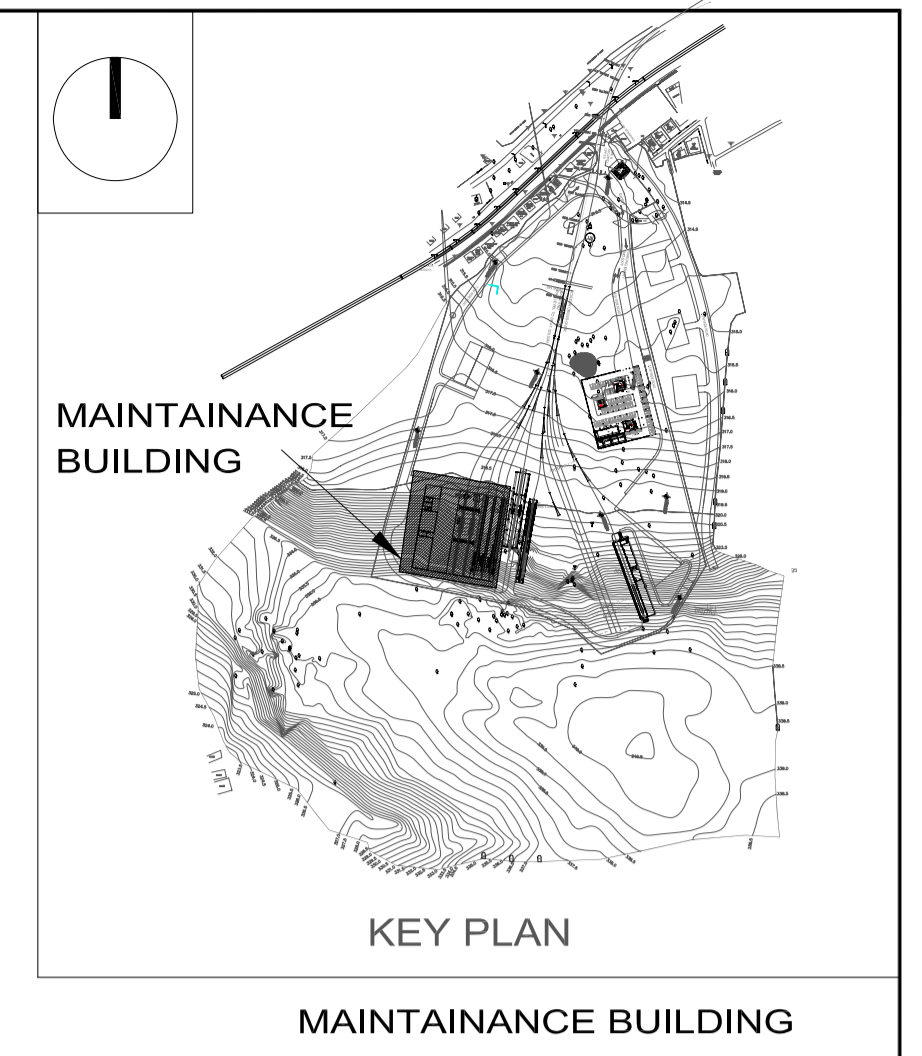
NOTE:- ALL COLUMN SIZE ARE (600X1000) UNLESS NOTED OTHERWISE
C1 = 1000X1000



SECTIONAL DETAIL OF R.C.C BRACKET (BKT-1)



PLAN OF R.C.C BRACKET (BKT-1)



KEY PLAN
MAINTAINANCE BUILDING

NOTE:-

- * ALL COLUMN & BEAMS SIZES ARE TENTATIVE
- * ALL LEVEL SHOULD BE CONFIRM WITH ARCH. DRGS.

BEAM SCHEDULE	
BEAM MARKED	BEAM SIZE
B1,B2,B3	(450X1000)
B4	(230X600)
B5,B6	(300X600)

GENERAL NOTES:
1. ALL DIMENSIONS ARE IN MILLIMETERS & LEVELS ARE IN METERS UNLESS OTHERWISE STATED.
2. ALL DIMENSIONS ARE TO BE READ AND NOT MEASURED.
3. ANY DISCREPANCIES MUST BE BROUGHT TO THE NOTICE OF THE DMRC BEFORE EXECUTION OF WORK AT SITE.
4. THIS DRAWING MUST BE READ IN CONJUNCTION WITH ALL RELEVANT ARCHITECTURAL, STRUCTURAL, PLUMBING & FIRE FIGHTING, ELECTRICAL AND TRAFFIC MANAGEMENT DRAWINGS.
5. ALL DOOR/WINDOW CILL & LINTEL LEVELS ARE MEASURED FROM MAIN FLOOR FINISHED LEVELS.

REVISIONS					
REV	DESCRIPTION	DRN.	CHD.	VER.	DATE

APPROVAL BY NMRCL			
ARCHITECTURE	AM/Mgr	DY CA-III	CA
STRUCTURE	AM/Design	DY CE/DESIGN	ED/Technical
ELECTRICAL	AEM/E&M	DGM/E	CEE/UD
CIVIL	AGM/Civil	CE/General	
	AGM/Tele	CSTE	
	Fire Officer		

Certified that this document has been designed and checked in accordance with DDC Quality Assurance Plan.

OFFICE OF DRAWING ORIGIN:
FOUNTAINHEAD
ARCHITECTURE INTERIOR & LANDSCAPE
C-9/9148, VASANT KUNJ, NEW DELHI
PH: 011-26891534, 26124540, 26124543. FAX: 26898459
Email: office@studiofountainhead.com

Authorised Signatory for DDC.
N1DDC D-01 Project Manager

STRUCTURAL CONSULTANT:
LKT Engineering Consultants Ltd.
63/12A, 1st floor, Main Rama road, Najafgarh road, industrial area, opposite Kirti nagar Metro Station, New Delhi-110015, Phone: 011-45565814-18
info@lktengineering.com
http://www.lktengineering.com

NAGPUR METRO RAIL CORPORATION LTD.
Metro House, 28/2, Anand Nagar, C K Naidu Road, Civil Lines, Nagpur - 440001

N1DDC D-01

ROLLING STOCK DEPOT AT HINGNA

DRAWING TITLE: MAINTAINANCE BUILDING- FRAMING PLAN
DRAWING NO: N1DDCD01-DPOH-T-ST-2206
REV: R0

DATE: 07.07.2016
SCALE: 1:200
STATUS: FOR TENDER

DRAWN BY: HIMANSHU TYAGI
CHECKED BY: H.S
VERIFIED BY: L.K.TYAGI

STRUCTURAL

This drawing must not be either loaned, copied or otherwise reproduced in whole or in part or used for any purpose without the prior written permission of DMRC.