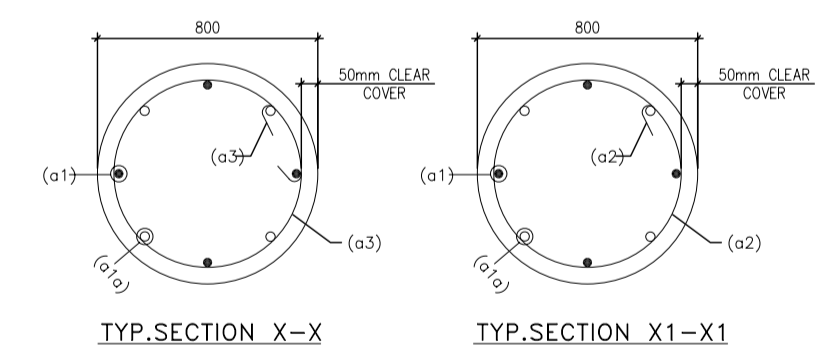
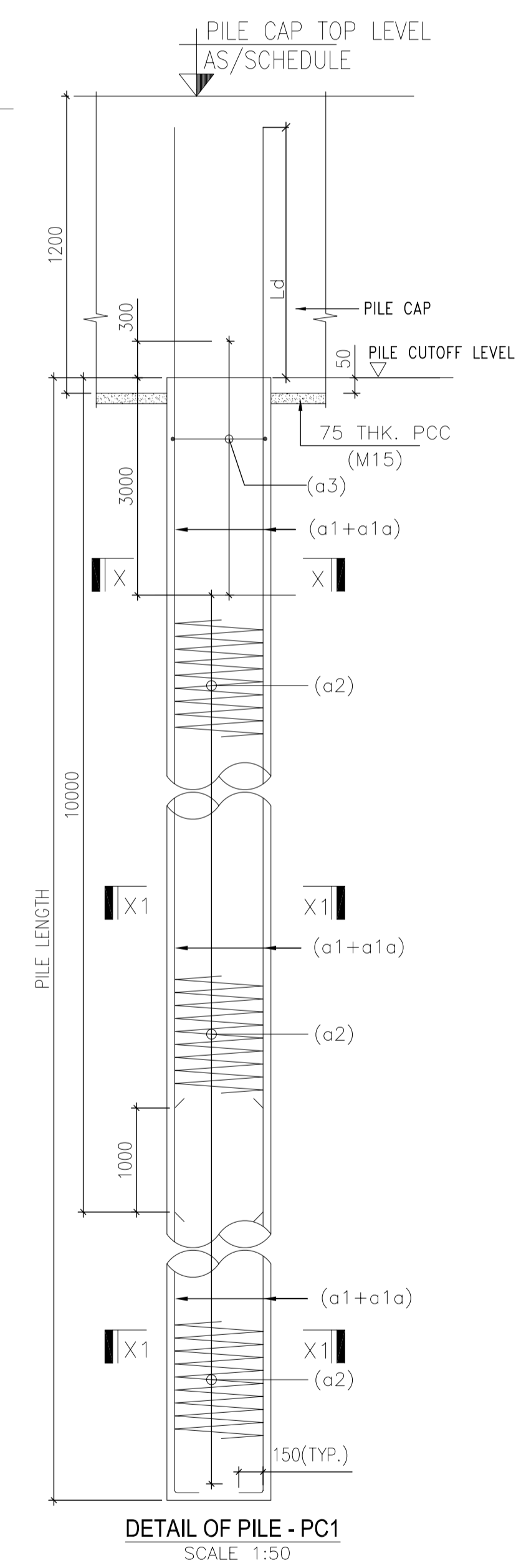


**PILE LAYOUT PLAN**

NOTE:- ALL COLUMN SIZE ARE (600X600)  
 NOTE:- PEDESTAL (P1) 1000X1000 UPTO PLINTH LVL.



**PILE REINFORCEMENT SCHEDULE**

SR. NO.	PILE CAP NO.	PILE DIA. (mm)	PILE LENGTH FROM CUTOFF LVL (m)	REINFORCEMENT DETAILS						REMARKS
				BAR MARKED						
				a1	a1a	a1b	a1c	a2	a3	
1.	PC1	800	12	16Φ-04Nos.	12Φ-04Nos.	-----	-----	Φ8@190c/c	Φ8@150c/c	

GENERAL NOTES:

- ALL DIMENSIONS ARE IN MILLIMETERS & LEVELS ARE IN METERS UNLESS OTHERWISE STATED.
- ALL DIMENSIONS ARE TO BE READ AND NOT MEASURED.
- ANY DISCREPANCIES MUST BE BROUGHT TO THE NOTICE OF THE DMRC BEFORE EXECUTION OF WORK AT SITE.
- THIS DRAWING MUST BE READ IN CONJUNCTION WITH ALL RELEVANT ARCHITECTURAL, STRUCTURAL, PLUMBING & FIRE FIGHTING, ELECTRICAL AND TRAFFIC MANAGEMENT DRAWINGS.
- ALL DOOR/WINDOW CILL & LINTEL LEVELS ARE MEASURED FROM MAIN FLOOR FINISHED LEVELS.

REFERENCE DRAWINGS	
Drg. No.	Description

REVISIONS					
REV	DESCRIPTION	DRN.	CHD.	VER.	DATE

APPROVAL BY NMRCL			
ARCHITECTURE	AM/Mgr	DY CA-III	CA
STRUCTURE	AM/Design	DY CE/DESIGN	ED/Technical
ELECTRICAL	AEME&M	DGM/E	CEEI/UD
CIVIL	AGM/Civil	CE/General	
	AGM/Tele	CSTE	
	Fire Officer		

Certified that this document has been designed and checked in accordance with DDC Quality Assurance Plan.

OFFICE OF DRAWING ORIGIN:  
**FOUNTAINHEAD**  
 ARCHITECTURE INTERIOR & LANDSCAPE  
 C-9/9148, VASANT KUNJ, NEW DELHI  
 PH: 011-26891534, 26124540, 26124543. FAX: 26898459  
 Email: office@studiofountainhead.com

Authorised Signatory for DDC.  
 N1DDC D-01 Project Manager

STRUCTURAL CONSULTANT:  
**LKT Engineering Consultants Ltd.**  
 63/12A, 1st floor, Main Rama road, Najafgarh road, industrial area, opposite Kirti nagar Metro Station, New Delhi-110015, Phone: 011-4556814-18 info@lktengineering.com http://www.lktengineering.com

**NAGPUR METRO RAIL CORPORATION LTD.**  
 Metro House, 28/2, Anand Nagar, C K Naidu Road, Civil Lines, Nagpur - 440001

**N1DDC D-01**

ROLLING STOCK DEPOT AT HINGNA

DRAWING TITLE: WORK SHOP- PILE LAYOUT PLAN

DRAWING NO: N1DDCD01-DPOH-T-ST-2521 REV: R0

DATE: 08.07.2016	SCALE: 1:200	STATUS: FOR TENDER
DRAWN BY: HIMANSHU TYAGI	CHECKED BY: H.S	VERIFIED BY: L.K.TYAGI

STRUCTURAL

This drawing must not be either loaned, copied or otherwise reproduced in whole or in part or used for any purpose without the prior written permission of DMRC.