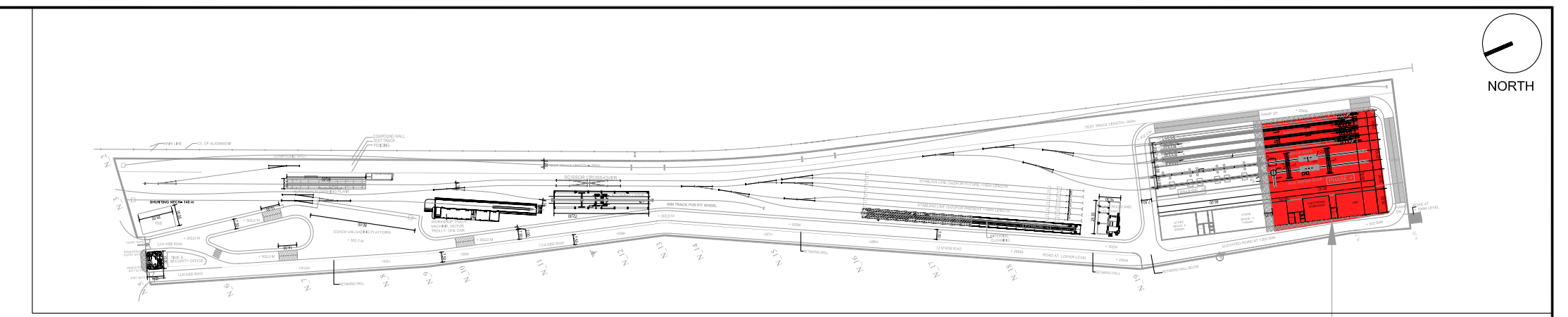


MEZZANINE LVL. FRAMING PLAN

NOTE:- ALL COLUMN SIZE ARE (600X1000) UNLESS NOTED OTHERWISE
C1 = 1500X1500

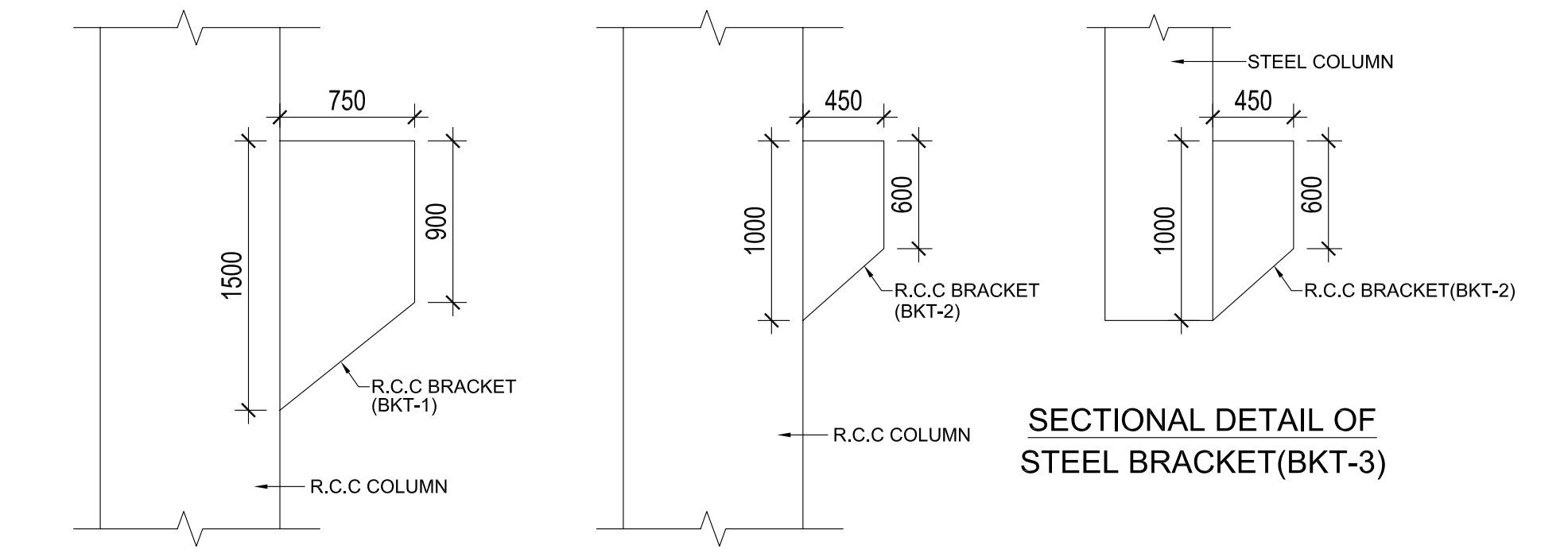


MAIN BUILDING

NOTE:-

- * ALL COLUMN & BEAMS SIZES ARE TENTATIVE
- * ALL LEVEL SHOULD BE CONFIRM WITH ARCH. DRGS.

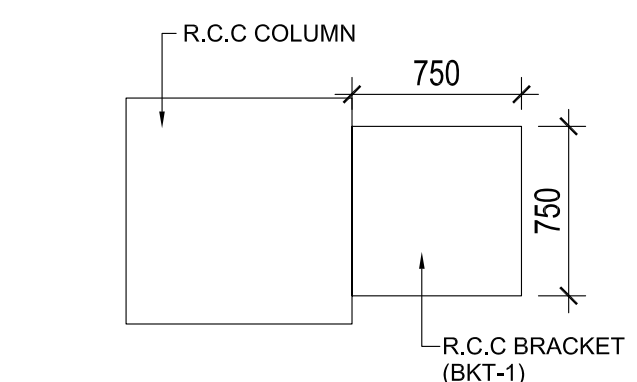
BEAM SCHEDULE	
BEAM MARKED	BEAM SIZE
B1,B2	(450X1000)
B3	(300X1000)
B7	(1000X1500)
LB1,B4	(300X600)



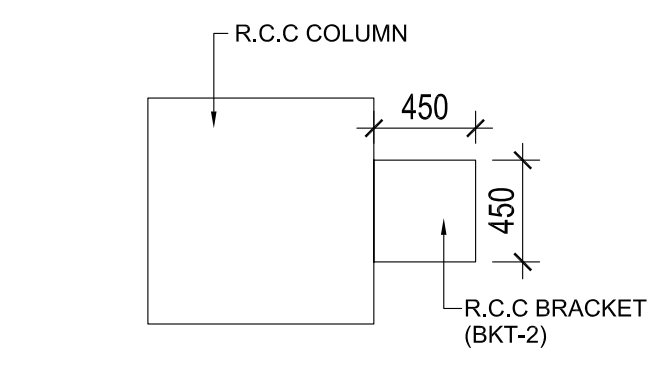
SECTIONAL DETAIL OF R.C.C BRACKET (BKT-1)

SECTIONAL DETAIL OF R.C.C BRACKET (BKT-2)

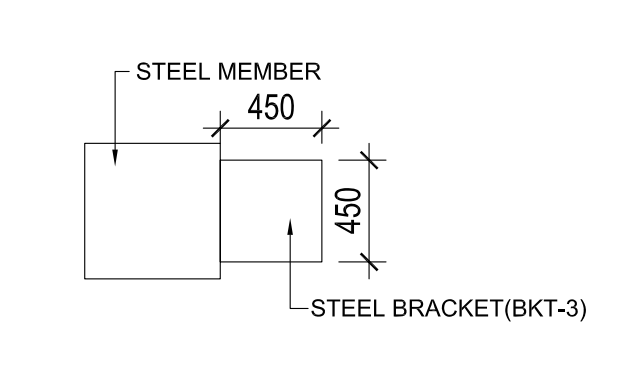
SECTIONAL DETAIL OF STEEL BRACKET (BKT-3)



PLAN OF R.C.C BRACKET (BKT-1)



PLAN OF R.C.C BRACKET (BKT-2)



PLAN OF STEEL BRACKET (BKT-3)

GENERAL NOTES:

1. ALL DIMENSIONS ARE IN MILLIMETERS & LEVELS ARE IN METERS UNLESS OTHERWISE STATED.
2. ALL DIMENSIONS ARE TO BE READ AND NOT MEASURED.
3. ANY DISCREPANCIES MUST BE BROUGHT TO THE NOTICE OF THE DMRC BEFORE EXECUTION OF WORK AT SITE.
4. THIS DRAWING MUST BE READ IN CONJUNCTION WITH ALL RELEVANT ARCHITECTURAL, STRUCTURAL, PLUMBING & FIRE FIGHTING, ELECTRICAL AND TRAFFIC MANAGEMENT DRAWINGS.
5. ALL DOOR/WINDOW CILL & LINTEL LEVELS ARE MEASURED FROM MAIN FLOOR FINISHED LEVELS.

REFERENCE DRAWINGS	
Drg. No.	Description

REVISIONS					
REV	DESCRIPTION	DRN.	CHD.	VER.	DATE

APPROVAL BY NMRCL			
ARCHITECTURE	AM/Mgr	DY CA-III	CA
STRUCTURE	AM/Design	DY CE/DESIGN	ED/Technical
ELECTRICAL	AEM/E&M	DGM/E	CEE/UD
CIVIL	AGM/Civil	CE/General	
	AGM/Tele	CSTE	
	Fire Officer		

Certified that this document has been designed and checked in accordance with DDC Quality Assurance Plan.

Authorised Signatory for DDC.
N1DDC D-01 Project Manager

OFFICE OF DRAWING ORIGIN:
FOUNTAINHEAD
ARCHITECTURE INTERIOR & LANDSCAPE
C-9/9148, VASANT KUNJ, NEW DELHI
PH: 011-26891534, 26124540, 26124543. FAX: 26898459
Email: office@studiofountainhead.com

STRUCTURAL CONSULTANT:
LKT Engineering Consultants Ltd.
63/12A, 1st floor, Main Rama road, Najafgarh road, industrial area, opposite Kirti nagar Metro Station, New Delhi-110015, Phone:- 011-4 5 6 5 8 1 4 - 1 8
info@lktengineering.com
http://www.lktengineering.com

NAGPUR METRO RAIL CORPORATION LTD.
Metro House, 28/2, Anand Nagar, C K Naidu Road, Civil Lines, Nagpur - 440001

N1DDC D-01

ROLLING STOCK DEPOT AT MIHAN

DRAWING TITLE: MAIN BUILDING - MEZZANINE LVL. FRAMING PLAN

DRAWING NO: N1DDCD01-DPOM-T-ST-2206

REV: R0

DATE: 06.07.2016	SCALE: 1:200	STATUS: FOR TENDER
DRAWN BY: SOMDUTT	CHECKED BY: H.S.	VERIFIED BY: L.K.TYAGI

STRUCTURAL

This drawing must not be either loaned, copied or otherwise reproduced in whole or in part or used for any purpose without the prior written permission of DMRC.